



ENGINEERING EXCELLENCE

Home Owner's Manual

Two Handle Lavatory Widespread Faucet:

- 3PR200



This product meets the following standards:

- ASME A112.18.1
- ANSI A117.1
- ANSI / NSF 61, SECTION 9
- CUPC / IAPMO LISTED / ADA COMPLIANT
- CONTAINS NO MORE THAN 0.25% WEIGHTED AVERAGE LEAD CONTENT

Thank You For Choosing Pioneer Products

Thank you for purchasing this quality product.

Pioneer products are rigorously tested to provide long service under normal conditions. Prior to installation, familiarize yourself with this parts diagram.

Make sure that you have all of the illustrated parts for your Pioneer product before installation.

Care Instructions

Pioneer products are designed and engineered under strict quality standards. The Pioneer Renaissance Collection of PVD finishes feature a strong and durable surface that will keep your fixture looking exquisite for a lifetime of years.

To ensure the beautiful appearance of your Pioneer product, please adhere to the following simple care instructions:

- Use clear water to clean the surface of the faucet and dry with a 100% cotton cloth.
- You may also use any non-abrasive wax, along with a soft cotton cloth to brighten the surface and provide future protection of the finish.
- Do not use detergents, harsh cleaners, abrasive cleaners, cloths, and cleaning agents.

PIONEER INDUSTRIES, INC. LIMITED LIFETIME WARRANTY *

PIONEER INDUSTRIES, INC. LIMITED LIFETIME WARRANTY *

Pioneer Industries, Inc. warrants this product to the original consumer purchaser to be free from defects in material and workmanship as long as the consumer purchaser owns it. Dated proof of purchase must accompany all warranty claims. PVD finishes carry a limited lifetime warranty in residential service.

Pioneer Industries, Inc. will replace, free of charge, to the original consumer purchaser, any and all parts that prove defective under normal installation, use, and service. Damage as a result of misuse, abuse, accident, not following care instruction or improper installation, will consequentially void this warranty. Replacement parts can be obtained from your local dealer or directly from our warehouse. Dated proof of purchase must accompany all warranty claims. Pioneer Industries, Inc. recommends using a certified plumber for all faucet installation and repair.

This warranty is limited to replacement of defective parts only. Incidental and consequential damages, labor charges, repair, or replacement costs are expressly excluded. Some states do not allow the exclusion or limitation of incidental or consequential damages, so the above limitation may not apply to you. This warranty gives you specific legal rights, as you may have other rights of which vary from state to state.

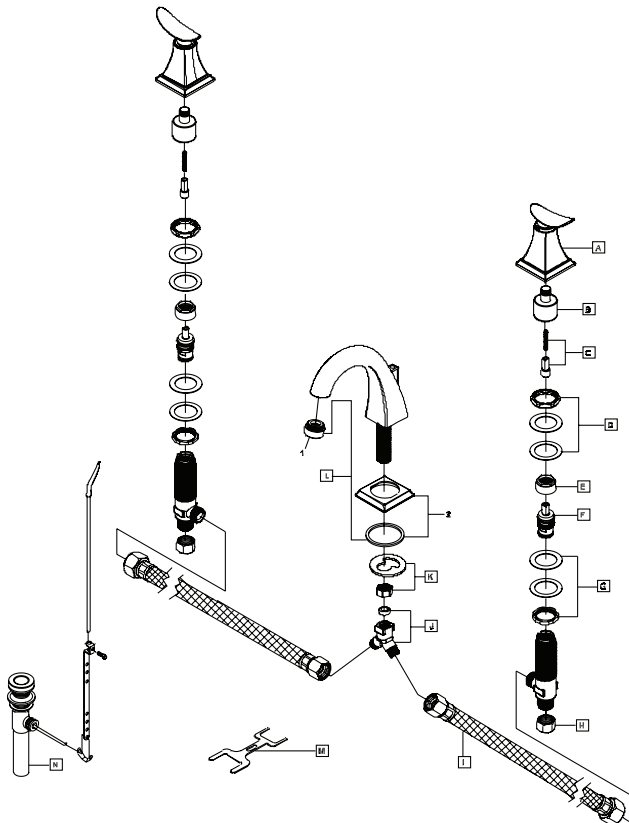
Installation or maintenance and cleaning must be in compliance with instructions furnished with every Pioneer product. If you find a problem with your product, please immediately contact your nearest Pioneer Industries, Inc. dealer or sales representative.

*2 year limited warranty on commercial and multi-family projects.

3PR200-Parts Breakdown Diagram

	ITEM#	DESCRIPTION
A	X-1900014*	Prenza Handle
B	X-4900046	Handle Locknut
C	X-4900053	Stem Extension
D	X-5900004	Valve Mounting Kit
E	X-4900022	Bonnet Nut
F	X-3900002C,H	Ceramic Stem - Cold, Hot
G	X-5900005	Valve Mounting Kit
H	X-4900004	Supply Nut
I	X-4900021	Supply Hose
J	X-4300011	'Y' Connector
K	X-5300003	Spout Mounting Kit
L	X-2300011*	Spout
M	X-4900077	Mounting Tool
N	X-6300015*	Brass Pop-Up Drain Assembly
1	X-4300051*	2.0 GPM Aerator
2	X-4300053*	Spout Escutcheon

* Note- Please specify finish/color code while ordering.





ENGINEERING EXCELLENCE

3325 S. Garfield Ave | City of Commerce, CA 90040
Telephone: (800) 338-9468 | (323) 888-8873 | Fax: (323) 888-9515
Hours: M - F, 7:30am to 5:00pm PST