



# ENGINEERING EXCELLENCE

Del Mar Series #3DM300

PARTS BREAKDOWN SHEET

### DESCRIPTION

- Two Handle Lavatory Wide-spread Faucet
- Del Mar Lever Handles
- Del Mar Series 'J' Spout
- 4-5/8" Reach, 4" From Deck to Aerator
- Ceramic Disc Cartridges
- 3-Hole 6" to 20" Installation
- Brass Pop-Up Drain Assembly

### FINISHES

- PC PVD Polished Chrome
- ORB Oil Rubbed Bronze

### FLOW

- Aerator Limited to 2.0 gpm



#3DM300 SHOWN \* ADA 

### STANDARDS APPLICABLE

- ASME A112.18.1
- ANSI A117.1
- ANSI / NSF 61, SECTION 9
- CUPC / IAPMO LISTED / ADA COMPLIANT
- CONTAINS NO MORE THAN 0.25% WEIGHTED AVERAGE LEAD CONTENT

Model #: \_\_\_\_\_

Specific Features: \_\_\_\_\_

Project Name: \_\_\_\_\_

Submitted For: \_\_\_\_\_

Model	Description	Finishes	
#3DM300	Two Handle Lavatory Widespread Faucet	PC	Other___



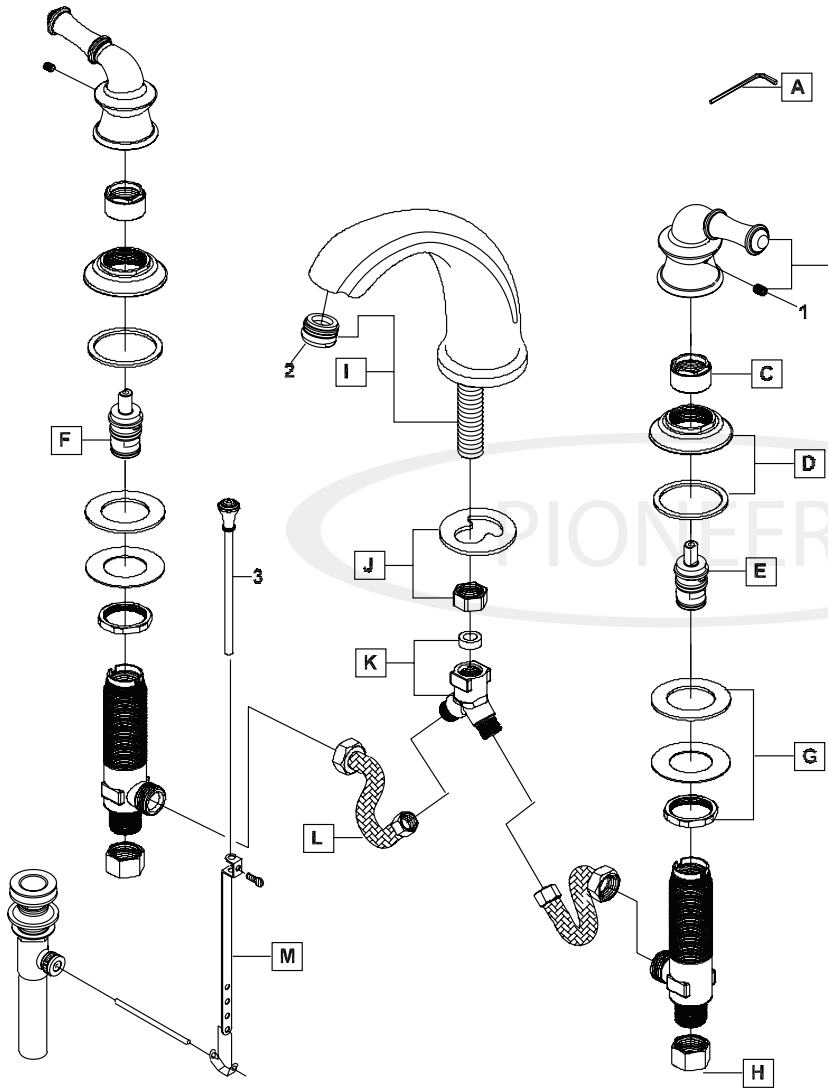
ENGINEERING EXCELLENCE

Pioneer:1-800-338-9468  
 Commerce, CA 90040  
 www.pioneerind.com  
 Pioneer Industries, Inc. © 2009

DMPB3DM300/REV. 12 2009  
 Page 1 of 2

	ITEM#	DESCRIPTION
A	X-4900024	3/32" Allen Wrench
B	X-1900005*	Del Mar Handle
C	X-4900022	Bonnet Nut
D	X-4900023*	Handle Escutcheon
E	X-3900002C	Ceramic Stem - Cold
F	X-3900002H	Ceramic Stem - Hot
G	X-5900001	Mounting Kit
H	X-4900004	Supply Nut
I	X-2300002*	Del Mar 'J' Spout
J	X-5300003	Spout Mounting Kit
K	X-4300011	'Y' Connector & Washer
L	X-4900021	Flex Hose
M	X-6300012*	Pop-Up
1	X-4900002	Allen Screw
2	X-4300009*	2.0 GPM Aerator
3	X-4300041*	Pop-Up Lift Rod

\* Note- Please specify finish/color code while ordering.



Product Diagram



ENGINEERING EXCELLENCE

Pioneer: 1-800-338-9468

Commerce, CA 90040

www.pioneerind.com

Pioneer Industries, Inc. © 2009