



# ENGINEERING EXCELLENCE

Del Mar Series #2DM101

SPECIFICATION SHEET

### DESCRIPTION

- Two Handle Kitchen Faucet
- Del Mar Lever Handles
- Legacy Series Spout
- 9-11/16" Reach, 5-1/4" From Deck to Aerator
- Ceramic Disc Cartridges
- 4-Hole 8" Installation
- Del Mar Series Spray Assembly

### FINISHES

- PC PVD Polished Chrome
- BN PVD Brushed Nickel

### FLOW

- Aerator Limited to 2.0 gpm



#2DM101 SHOWN \* ADA



### STANDARDS APPLICABLE

- ASME A112.18.1
- ANSI A117.1
- ANSI / NSF 61, SECTION 9
- CUPC / IAPMO LISTED / ADA COMPLIANT
- CONTAINS NO MORE THAN 0.25% WEIGHTED AVERAGE LEAD CONTENT

Model #: \_\_\_\_\_

Specific Features: \_\_\_\_\_

Project Name: \_\_\_\_\_

Submitted For: \_\_\_\_\_

Model	Description	Finishes	
#2DM101	Two Handle Kitchen Faucet	PC	Other___



ENGINEERING EXCELLENCE

Pioneer: 1-800-338-9468  
 Commerce, CA 90040  
 www.pioneerind.com  
 Pioneer Industries, Inc. © 2009

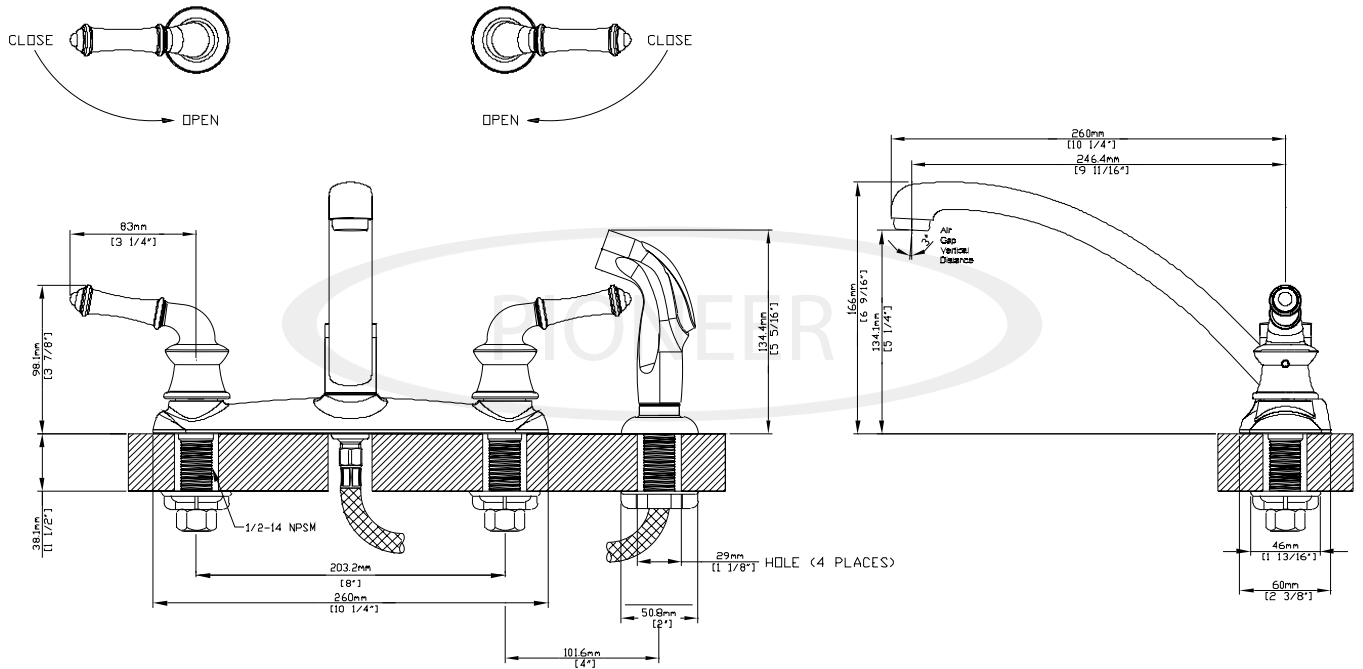
DMSP2DM101/REV. 12 2009

Page 1 of 2

**Installation Note:**

Faucet Hole Size :- 1-1/2"

Maximum Deck Thickness:- 1-1/2"



**Product Diagram**



ENGINEERING EXCELLENCE

Pioneer:1-800-338-9468

Commerce, CA 90040

www.pioneerind.com

Pioneer Industries, Inc. © 2009