



# ENGINEERING EXCELLENCE

Legacy Series #2LG101

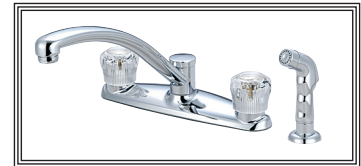
SPECIFICATION SHEET

### DESCRIPTION

- Two Handle Kitchen Faucet
- Legacy Acrylic Handles
- Legacy Series Spout
- 9-11/16" Reach, 5-1/4" From Deck to Aerator
- Ceramic Disc Cartridges
- 4-Hole 8" Installation
- Classic Side Spray Assembly

### FINISHES

- PC PVD Polished Chrome
- BN PVD Brushed Nickel



#2LG101 SHOWN

### STANDARDS APPLICABLE

- ASME A112.18.1
- ANSI A117.1
- ANSI / NSF 61, SECTION 9
- CUPC / IAPMO LISTED
- CONTAINS NO MORE THAN 0.25% WEIGHTED AVERAGE LEAD CONTENT

### FLOW

- Aerator Limited to 2.0 gpm

Model #: \_\_\_\_\_

Specific Features: \_\_\_\_\_

Project Name: \_\_\_\_\_

Submitted For: \_\_\_\_\_

Model	Description	Finishes	
#2LG101	Two Handle Kitchen Faucet	PC	Other__



ENGINEERING EXCELLENCE

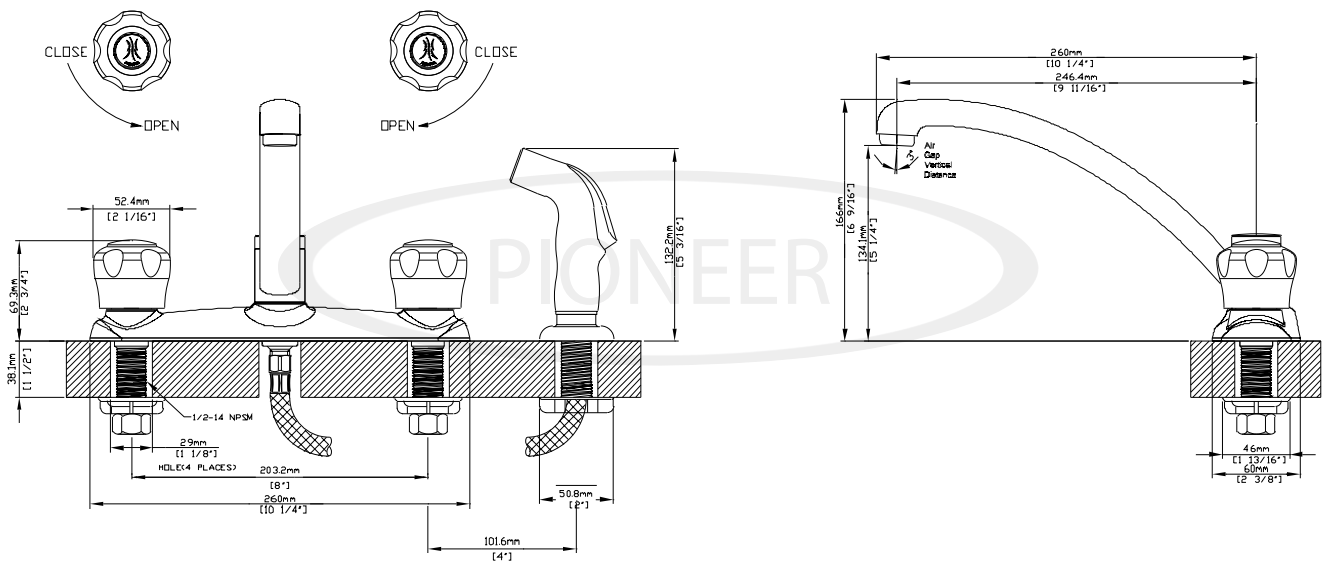
Pioneer:1-800-338-9468  
 Commerce, CA 90040  
 www.pioneerind.com  
 Pioneer Industries, Inc. © 2009

DMSP2LG101/REV. 12 2009  
 Page 1 of 2

**Installation Note:**

Faucet Hole Size :- 1-1/2"

Maximum Deck Thickness:- 1-1/2"



**Product Diagram**



ENGINEERING EXCELLENCE

Pioneer: 1-800-338-9468

Commerce, CA 90040

www.pioneerind.com

Pioneer Industries, Inc. © 2009