



ENGINEERING EXCELLENCE

Legacy Series #2LG111

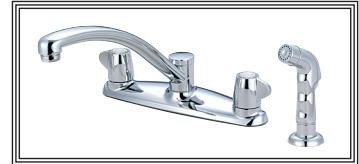
SPECIFICATION SHEET

DESCRIPTION

- Two Handle Kitchen Faucet
- Legacy Mini Blade Handles
- Legacy Series Spout
- 9-11/16" Reach, 5-1/4" From Deck to Aerator
- Ceramic Disc Cartridges
- 4-Hole 8" Installation
- Classic Side Spray Assembly

FINISHES

- PC PVD Polished Chrome
- BN PVD Brushed Nickel



#2LG111 SHOWN * ADA



STANDARDS APPLICABLE

- ASME A112.18.1
- ANSI A117.1
- ANSI / NSF 61, SECTION 9
- CUPC / IAPMO LISTED / ADA COMPLIANT
- CONTAINS NO MORE THAN 0.25% WEIGHTED AVERAGE LEAD CONTENT

FLOW

- Aerator Limited to 2.0 gpm

Model #: _____

Specific Features: _____

Project Name: _____

Submitted For: _____

Model	Description	Finishes	
#2LG111	Two Handle Kitchen Faucet	PC	Other___



ENGINEERING EXCELLENCE

Pioneer: 1-800-338-9468
 Commerce, CA 90040
 www.pioneerind.com
 Pioneer Industries, Inc. © 2009

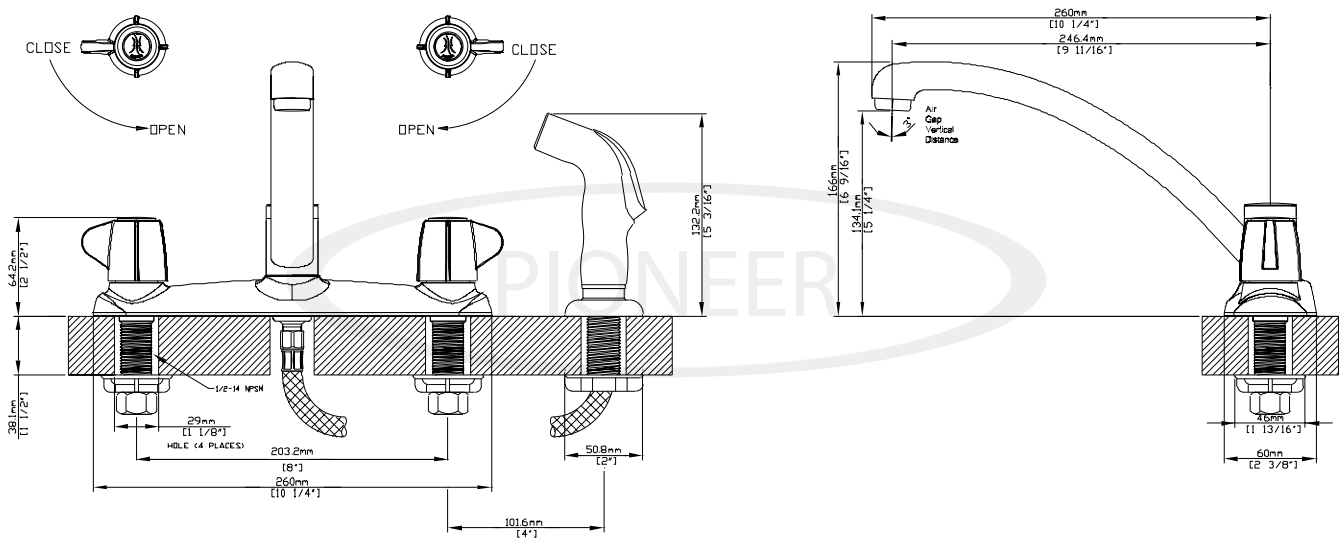
DMSP2LG111/REV. 12 2009

Page 1 of 2

Installation Note:

Faucet Hole Size :- 1-1/2"

Maximum Deck Thickness:- 1-1/2"



Product Diagram



ENGINEERING EXCELLENCE

Pioneer:1-800-338-9468

Commerce, CA 90040

www.pioneerind.com

Pioneer Industries, Inc. © 2009