



ENGINEERING EXCELLENCE

Del Mar Series #3DM100

SPECIFICATION SHEET

DESCRIPTION

- Two Handle Lavatory Faucet
- Del Mar Lever Handles
- 6-1/16" Reach, 2-1/8" From Deck to Aerator
- Ceramic Disc Cartridges
- 3-Hole 4" Installation
- Brass Pop-Up Drain Assembly

FINISHES

- PC PVD Polished Chrome
- BN PVD Brushed Nickel
- ORB Oil Rubbed Bronze
- TB PVD Tuscany Bronze

FLOW

- Aerator Limited to 2.0 gpm



#3DM100 SHOWN * ADA 

STANDARDS APPLICABLE

- ASME A112.18.1
- ANSI A117.1
- ANSI / NSF 61, SECTION 9
- CUPC / IAPMO LISTED / ADA COMPLIANT
- CONTAINS NO MORE THAN 0.25% WEIGHTED AVERAGE LEAD CONTENT

Model #: _____

Specific Features: _____

Project Name: _____

Submitted For: _____

Model	Description	Finishes	
#3DM100	Two Handle Lavatory Faucet	<input type="radio"/> PC	<input type="radio"/> Other__
#3DM101	Two Handle Lavatory Faucet-Less Pop-up Drain	<input type="radio"/> PC	<input type="radio"/> Other__
#3DM100-E1.5	Two Handle Lavatory Faucet-1.5 GPM Flow Rate	<input type="radio"/> PC	<input type="radio"/> Other__



ENGINEERING EXCELLENCE

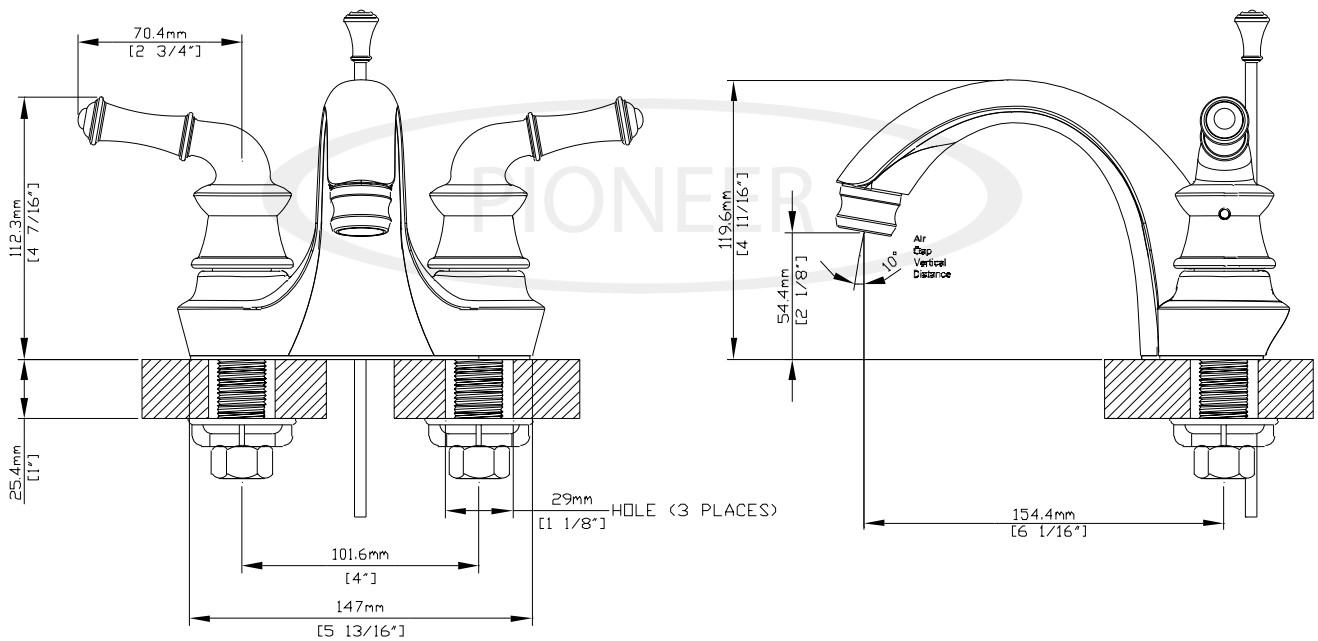
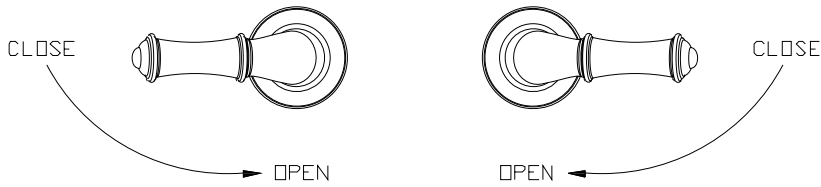
Pioneer:1-800-338-9468
 Commerce, CA 90040
 www.pioneerind.com
 Pioneer Industries, Inc. © 2009

DMSP3DM100/REV. 12 2009

Page 1 of 2

Installation Note:

Faucet Hole Size :- 1-1/4"
 Maximum Deck Thickness:- 1"



Product Diagram



ENGINEERING EXCELLENCE

Pioneer:1-800-338-9468
 Commerce, CA 90040
 www.pioneerind.com
 Pioneer Industries, Inc. © 2009