



ENGINEERING EXCELLENCE

Del Mar Series #3DM300

SPECIFICATION SHEET

DESCRIPTION

- Two Handle Lavatory Wide-spread Faucet
- Del Mar Lever Handles
- Del Mar Series 'J' Spout
- 4-5/8" Reach, 4" From Deck to Aerator
- Ceramic Disc Cartridges
- 3-Hole 6" to 20" Installation
- Brass Pop-Up Drain Assembly

FINISHES

- PC PVD Polished Chrome
- ORB Oil Rubbed Bronze

FLOW

- Aerator Limited to 2.0 gpm



#3DM300 SHOWN * ADA



STANDARDS APPLICABLE

- ASME A112.18.1
- ANSI A117.1
- ANSI / NSF 61, SECTION 9
- CUPC / IAPMO LISTED / ADA COMPLIANT
- CONTAINS NO MORE THAN 0.25% WEIGHTED AVERAGE LEAD CONTENT

Model #: _____

Specific Features: _____

Project Name: _____

Submitted For: _____

Model	Description	Finishes	
#3DM300	Two Handle Lavatory Widespread Faucet	<input type="radio"/> PC	<input type="radio"/> Other___
#3DM300-E1.5	Two Handle Lavatory Widespread Faucet-1.5 GPM Flow Rate	<input type="radio"/> PC	<input type="radio"/> Other___



ENGINEERING EXCELLENCE

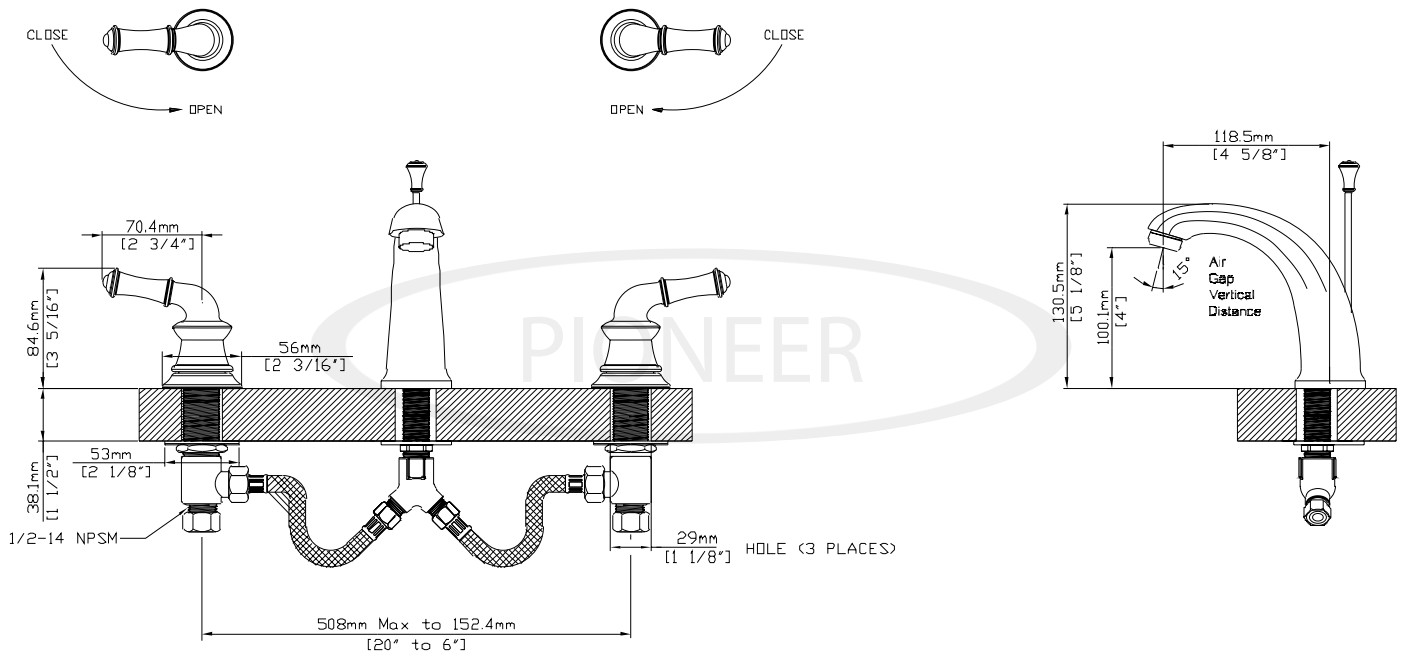
Pioneer:1-800-338-9468
 Commerce, CA 90040
 www.pioneerind.com
 Pioneer Industries, Inc. © 2009

DMSP3DM300/REV. 12 2009
 Page 1 of 2

Installation Note:

Faucet Hole Size :- 1-1/4"

Maximum Deck Thickness:- 1-1/2"



Product Diagram



ENGINEERING EXCELLENCE

Pioneer:1-800-338-9468

Commerce, CA 90040

www.pioneerind.com

Pioneer Industries, Inc. © 2009