



ENGINEERING EXCELLENCE

Legacy Series #3LG100

SPECIFICATION SHEET

DESCRIPTION

- Two Handle Lavatory Faucet
- Legacy Acrylic Handles
- 3-9/16" Reach, 1-15/16" From Deck to Aerator
- Ceramic Disc Cartridges
- 3-Hole 4" Installation
- Brass Pop-Up Drain Assembly

FINISHES

- PC PVD Polished Chrome



#3LG100 SHOWN

STANDARDS APPLICABLE

- ASME A112.18.1
- ANSI A117.1
- ANSI / NSF 61, SECTION 9
- CUPC / IAPMO LISTED
- CONTAINS NO MORE THAN 0.25% WEIGHTED AVERAGE LEAD CONTENT

FLOW

- Aerator Limited to 2.0 gpm

Model #: _____

Specific Features: _____

Project Name: _____

Submitted For: _____

Model	Description	Finishes	
#3LG100	Two Handle Lavatory Faucet	<input type="radio"/> PC	<input type="radio"/> Other__
#3LG100-E1.5	Two Handle Lavatory Faucet-1.5 GPM Flow Rate	<input type="radio"/> PC	<input type="radio"/> Other__
#3LG100B	Two Handle Lavatory Faucet-Builder Tract Pack	<input type="radio"/> PC	<input type="radio"/> Other__
#3LG101	Two Handle Lavatory Faucet-Less Pop-UP Drain	<input type="radio"/> PC	<input type="radio"/> Other__
#3LG101-E1.5	Two Handle Lavatory Faucet-Less Pop-UP Drain-1.5 GPM Flow Rate	<input type="radio"/> PC	<input type="radio"/> Other__



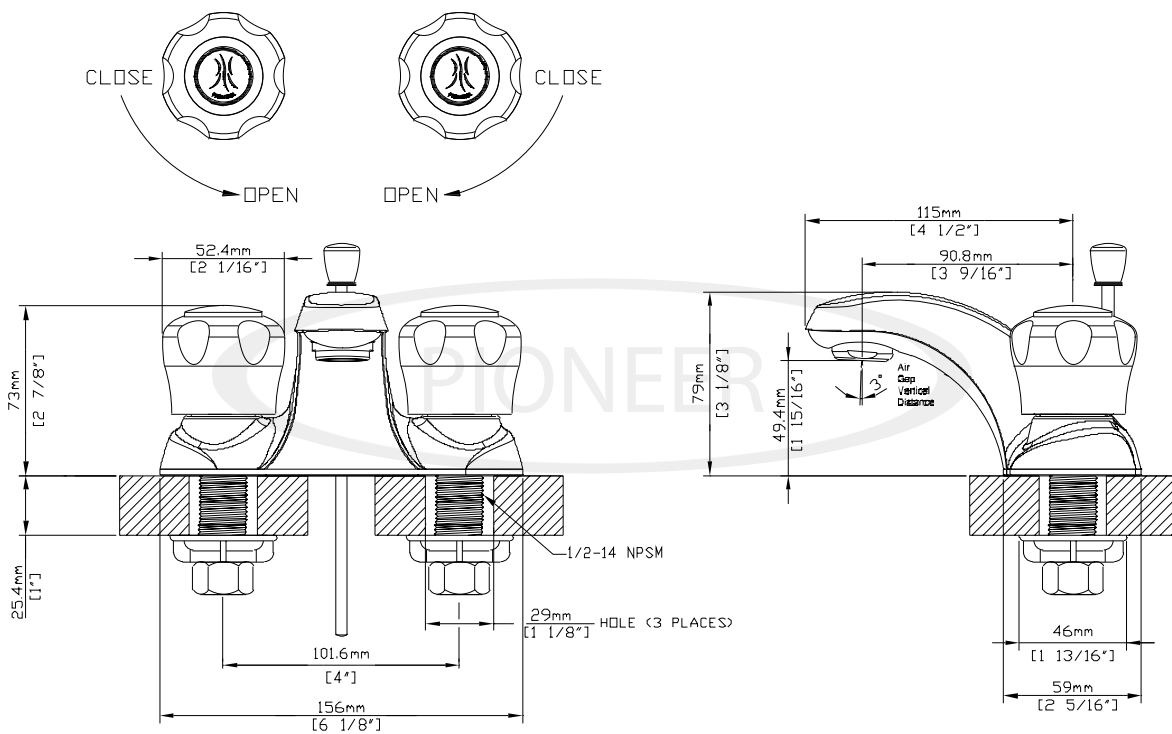
ENGINEERING EXCELLENCE

Pioneer: 1-800-338-9468
 Commerce, CA 90040
 www.pioneerind.com
 Pioneer Industries, Inc. © 2009

DMSP3LG100/REV. 12 2009
 Page 1 of 2

Installation Note:

Faucet Hole Size :- 1-1/4"
 Maximum Deck Thickness:- 1"



Product Diagram



ENGINEERING EXCELLENCE

Pioneer:1-800-338-9468
 Commerce, CA 90040
 www.pioneerind.com
 Pioneer Industries, Inc. © 2009